

# Aluminum Canes

## Cardinal Health™ Hospital Quality at Home

### J-Hook Adjustable Cane

- Easy push button height adjustment
- Slip-resistant tip for cushioned support
- Lightweight, sturdy construction
- ¾ in. (19 mm) tip size
- 250 lb. weight capacity



M

CIN	Mfr. No.	Color	Qty.
5070461	CNE0012R	Black	1/ea
5070529	CNE121BRZR	Bronze	1/ea
5070545	CNE122SLVR	Silver	1/ea

HCPCS Code: E0100

## Cardinal Health™ Hospital Quality at Home

### Offset Adjustable Cane

- Easy push button height adjustment
- Slip-resistant tip for cushioned support
- Lightweight, sturdy construction and wrist strap included
- ¾ in. (19 mm) tip size (Heavy Duty 7/8 in. 22 mm)
- 250 lb. weight capacity (Heavy Duty 500 lb.)



M

CIN	Mfr. No.	Color	Qty.
5070495	CNE0014R	Black	1/ea
5070339	CNE0020BR	Black heavy duty	1/ea
5070594	CNE118BRZR	Bronze	1/ea
5070479	CNE120D3R	Graphic finish	1/ea
5070438	CNE119D2SR	Paisley	1/ea
5070172	CNE0015R	Silver	1/ea

HCPCS Code: E0100

## Alex Orthopedic

### Patriotic Adjustable Aluminum Cane with Fritz Handle

- Patriotic canes that respectfully honor the contribution of our service men and women
- Solid wood fritz handle
- Service emblem on cane and in color of branch
- Height adjustable 30–39 in.
- 300 lb. weight capacity



M



CIN	Mfr. No.	Description	Qty.
4285714	MP-15280	Air Force	1/ea
4285797	MP-15285	American Patriot	1/ea
4285730	MP-15281	Army	1/ea
4285763	MP-15283	Coast Guard	1/ea
4285789	MP-15284	Marines	1/ea
4285748	MP-15282	Navy	1/ea

HCPCS Code: E0100



## Alex Orthopedic

### Offset Adjustable Aluminum Cane with Foam Grip

- Adjustable from 31–40 in. and includes wrist strap
- 300 lb. weight capacity

M



CIN	Mfr. No.	Color	Qty.
3261088	MP-21031	Black	1/ea
4287124	MP-21200	Black sparkle	1/ea
3261096	MP-21032	Bronze	1/ea
4287157	MP-21226	Bronze sparkle	1/ea
3173366	MP-21007	Butterfly	1/ea
3378973	MP-10911	Canterbury	1/ea
3558855	MP-10931	Casino	1/ea
3620622	MP-10910	Celestial	1/ea
3035847	MP-21006	Compass rose	1/ea
3962032	MP-10922	Leopard	1/ea
3035839	MP-21005	Paisley	1/ea
3961786	MP-21161	Red hat	1/ea
3378981	MP-10912	Summer garden	1/ea

HCPCS Code: E0100

## Alex Orthopedic

### Seat Canes

- Tri-seat folds into a walking stick
- Tri-seat 8 x 10 in. seat
- Quad seat provides temporary seating when needed
- Quad seat is made of lightweight aluminum construction
- 225 lb. capacity



CIN	Mfr. No.	Description	Size	Qty.
3558954	MP-82002	Bronze tri-seat	34–38 in. walking height, 18–21 in. sitting height	1/ea
3962107	MP-8210	Bronze quad	34 in. walking height 21 in. sitting height	1/ea

## Alex Orthopedic

### Tourist Adjustable Aluminum Cane

- Fully adjustable aluminum cane with comfortable foam grips
- Safety-locking silencer
- 300 lb. weight capacity



M



CIN	Mfr. No.	Color	Height	Qty.
3962040	MP-26000	Black	33–37 in.	1/ea
3962123	MP-26002	Bronze	33–37 in.	1/ea

HCPCS Code: E0100

## Carex Health Brands

### Ergo Offset Cane

- Ergonomic comfort offset handle decreases shock and hand fatigue
- Height is easily adjustable with the push of a button
- Fashionable pattern
- 300 lb. weight capacity



M

CIN	Mfr. No.	Color	Height	Qty.
4952362	A58400	Black flower	30.5–39.5 in.	1/ea
4952339	A58100	Blue	30.5–39.5 in.	1/ea
4952370	A58500	Blue flower	30.5–39.5 in.	1/ea
4952347	A58200	Purple	30.5–39.5 in.	1/ea
4952354	A58300	Rose	30.5–39.5 in.	1/ea

HCPCS Code: E0100

## Carex Health Brands

### Offset Adjustable Aluminum Cane

- Soft cushion handle with wrist strap
- Easy height adjustment with a push of a button or a few turns of the cane's shaft
- 250 lb. weight capacity



M

CIN	Mfr. No.	Color	Height	Qty.
1746247	A78411	Black	29–38 in.	1/ea
2441186	A72811	Bronze	29–38 in.	1/ea

HCPCS Code: E0100

## How to be properly FITTED FOR A CANE:

1. Stand up straight with your shoes on and arms relaxed at your sides.
2. Adjust the cane so that the cane handle is level with the inside of your wrist.
3. To adjust the cane, push the spring button in and lengthen or shorten the cane to the correct height.
4. Tighten the collar if one is present.



Incorrect Size  
(Too Short)



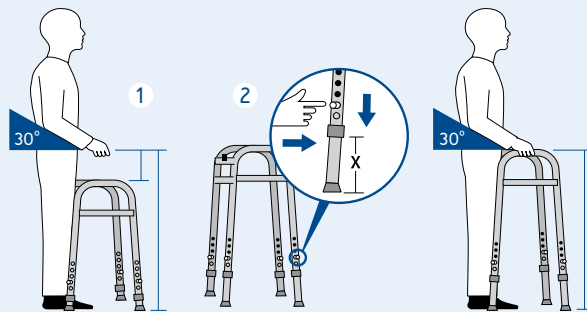
CORRECT SIZE!



Incorrect Size  
(Too Tall)

## How to be properly FITTED FOR A WALKER:

1. Stand with your arms extended forward with a 30 degree bend at your elbow. The height of the walker handles should be at the crease of your wrist when your arms are relaxed and at your sides.
2. To adjust legs push the spring button in and lengthen or shorten to the correct hole height.
3. Repeat this process for all four legs so that hand-grips rest comfortably in your hands when your elbow is bent at 30 degrees.



M May be reimbursable by Medicare Part B

Available through Cardinal Health Drop Ship program

HCPCS are for reference only and should be verified before billing.

Note: Products may not be available in all Cardinal Health Distribution Centers

# Aluminum Canes

## Carex Health Brands

### Offset Designer Cane

- Soft cushioned handle
- Height is easily adjustable with the push of a button
- Convenient wrist strap
- 250 lb. weight capacity



M

CIN	Mfr. No.	Color	Height	Qty.
4080065	A56400	Bahama	31–40 in.	1/ea
3542222	A51500	Blue	31–40 in.	1/ea
3542271	A51700	Bronze	31–40 in.	1/ea
3542289	A51800	Gray	31–40 in.	1/ea
3542248	A51600	Green	31–40 in.	1/ea
3542214	A51400	Red	31–40 in.	1/ea

HCPCS Code: E0100

## Carex Health Brands

### Round Adjustable Aluminum Cane

- Height adjusts in 1 in. increments
- 250 lb. weight capacity



M

CIN	Mfr. No.	Color	Height	Qty.
1886555	A75600	Men's silver	29–38 in.	1/ea
1646918	A76100	Women's silver	29–38 in.	1/ea

HCPCS Code: E0100

## Carex Health Brands

### Soft Grip Cane

- Soft grip handle decreases shock and hand fatigue
- Height is easily adjustable with the push of a button
- Convenient wrist strap
- Handle not made with natural rubber latex
- 250 lb. weight capacity



M

CIN	Mfr. No.	Color	Height	Qty.
4080099	A52000	Black	31–40 in.	1/ea
4080081	A52100	Metallic blue	31–40 in.	1/ea
4080107	A52200	Soft pink	31–40 in.	1/ea

HCPCS Code: E0100



## Drive Medical

### Aluminum Cane with Offset Handle

- Ergonomically designed handle with soft foam grip provides comfort and security
- Comes standard with foam rubber grip and wrist strap
- Easy-to-use, one-button height adjustment with locking ring which prevents rattling
- 300 lb. weight capacity

M 

CIN	Mfr. No.	Color	Height	Qty.
*	RTL10306	Black	30–39 in.	1/ea
*	RTL10307	Bronze	30–39 in.	1/ea
*	RTL10303PF	Pink floral	30–39 in.	1/ea
*	10303-6	Silver	30–39 in.	1/ea
*	RTL10303SW	Swirl	30–39 in.	1/ea

HCPCS Code: E0100

\*To order, please call 800-530-2696



## Drive Medical

### Aluminum Offset Cane with Gel Grip

- Ergonomically designed handle with soft gel grip provides comfort and security
- Easy-to-use, one-button height adjustment with locking ring which prevents rattling
- 300 lb. weight capacity

M 

CIN	Mfr. No.	Color	Height	Qty.
*	RTL10372BK	Black	30–39 in.	1/ea
*	RTL10372BC	Blue crackle	30–39 in.	1/ea
*	RTL10372RC	Red crackle	30–39 in.	1/ea

HCPCS Code: E0100

\*To order, please call 800-530-2696

## Drive Medical Cane Seat

- Provides a comfortable seat to rest on when open and a sturdy support cane when closed
- Manufactured with sturdy, extruded aluminum tubing
- Tripod design with vinyl contoured tipped legs
- 250 lb. weight capacity



CIN	Mfr. No.	Description	Height	Qty.
*	RTL10365-ADJ	Adjustable height	34–38 in.	1/ea

HCPCS Code: E0100

\*To order, please call 800-530-2696

## Drive Medical Folding Lightweight Cane with Sling Style Seat

- Provides a comfortable seat to rest on when open, and a sturdy quad cane when closed
- Nylon sling bench 15 x 5.75 in.
- Seat height 20.5 in., overall height 34 in.
- 250 lb. weight capacity



CIN	Mfr. No.	Description	Height	Qty.
*	RTL10360	Quad seat cane	20.5 in.	1/ea

HCPCS Code: E0105

\*To order, please call 800-530-2696



## Essential Medical

### Couture Canes with Patterned Super Big Foot™ Tip

- Each cane includes a patterned tip that matches the cane pattern
- Super Big Foot Tip™ allows the fashion cane to stand on its own
- 250 lb. weight capacity



CIN	Mfr. No.	Description	Height	Qty.
5437108	W1343C	Celebration	30–39 in.	1/ea
5437124	W1343H	Hounds Tooth	30–39 in.	1/ea
5437132	W1343P	Pink Flower	30–39 in.	1/ea
5437116	W1343F	Sunflower	30–39 in.	1/ea
5437140	W1343S	Swirl	30–39 in.	1/ea

HCPCS Code: E0100

## Medline Industries

### Offset Cane with Army Logo

- Colorful design and unique pattern
- Foam handle and convenient wrist strap
- Nice alternative to the institutional look of chrome walking aids



CIN	Mfr. No.	Color	Height	Qty.
5526223	MDS864020AB	Black	29 - 38 in.	1/ea
5526215	MDS864020AC	Camo	29 - 38 in.	1/ea
5526231	MDS86420AG	Green	29 - 38 in.	1/ea

HCPCS Code: E0100

**M** May be reimbursable by Medicare Part B

Available through Cardinal Health Drop Ship program

HCPCS are for reference only and should be verified before billing.

**Note:** Products may not be available in all Cardinal Health Distribution Centers

# Folding Canes



## Alex Orthopedic

### Travel Folding Cane with Fritz Handle

- Push-button height adjustment in 1 in. increments
- Double-cord system, folds for compact storage
- Wood handle
- 250 lb. weight capacity



CIN	Mfr. No.	Color	Height	Qty.
3023108	MP-10501	Black	33–37 in.	1/ea
3996873	MP-11063	Blue peacock	33–37 in.	1/ea
3023066	MP-10503	Bronze	33–37 in.	1/ea
3169331	MP-10510	Butterfly	33–37 in.	1/ea
3169356	MP-10507	Compass rose	33–37 in.	1/ea
3027471	MP-10505	Mauve floral	33–37 in.	1/ea
3027489	MP-10506	Paisley	33–37 in.	1/ea
3961729	MP-11061	Red hat	33–37 in.	1/ea

## Carex Health Brands

### Adjustable Folding Cane

- Compact fold for easy storage
- Includes storage case
- 250 lb. weight capacity



CIN	Mfr. No.	Color	Height	Qty.
1760222	A77300	Black derby	33–37 in.	1/ea
1829910	A74600	Bronze york	33–37 in.	1/ea
3650280	A53400	Designer red	33 - 37 in.	1/ea

HCPCS Code: E0100

## Drive Medical

### Adjustable Folding Cane with Gel Grip

- Cane folds into four convenient parts for easy storage
- Gel grip reduces hand stress and fatigue
- 300 lb. weight capacity



CIN	Mfr. No.	Color	Height	Qty.
*	RTL10370BK	Black	32–36 in.	1/ea
*	RTL10370BC	Blue crackle	32–36 in.	1/ea
*	RTL10370RC	Red crackle	32–36 in.	1/ea

HCPCS Code: E0100

\*To order, please call 800-530-2696



## Drive Medical

### Aluminum Folding Cane

- Cane folds into four convenient parts for easy storage
- Attractive wood handle with brass collar
- 300 lb. weight capacity



CIN	Mfr. No.	Color	Height	Qty.
4558078	RTL10304	Black	33–37 in.	1/ea

HCPCS Code: E0100



## Drive Medical

### Bariatric Aluminum Folding Cane

- Cane folds into four convenient parts for easy storage
- Attractive wood handle with brass collar
- 500 lb. weight capacity



CIN	Mfr. No.	Color	Height	Qty.
*	RTL10304HD	Black	33–37 in.	1/ea

\*To order, please call 800-530-2696



# Folding Canes/Lucite Canes

## Drive Medical

### Blind Folding Cane

- High quality four section aluminum construction
- Shaft covered with white and red reflective tape for night visibility
- Comes standard with wrist strap and reinforced nylon tip



CIN	Mfr. No.	Description	Height	Qty.
*	10352-1	Folding cane	45.75 in.	1/ea

\*To order, please call 800-530-2696

## Drive Medical

### Flex 'N Go Cane

- Cane base with 3 feet, pivots in any direction providing added security and traction
- Tip flexes and swivels to maintain contact with the ground when the cane is at an angle, providing superior balance
- Tip only: Replaces the existing tip of most canes
- 300 lb. weight capacity



CIN	Mfr. No.	Description	Size	Qty.
*	RTL10305	Cane - black	32.5 - 39.5 in.	1/ea
*	RTL10352TF	Cane tip only - black	-	1/ea

\*To order, please call 800-530-2696

## Drive Medical

### Folding Cane with Glow Gel Grip Handle

- Handle and tip glow in the dark
- Handle height adjusts from 33 to 37 in.
- 300 lb. weight capacity



CIN	Mfr. No.	Color	Height	Qty.
4379962	RTL10304LB	Light blue	33-37 in.	1/ea

HCPCS Code: E0100

## Drive Medical

### HurryCane® Freedom™

- 8 convenient height adjustments from 30.5-37.5 in.
- Freestanding design with pivoting base offers balance at any angle
- Anodized aluminum shaft and cane easily folds for storage
- Wrist strap and travel bag included
- 350 lb. weight capacity



CIN	Mfr. No.	Description	Color	Qty.
5198692	HCANE-BK-C2	Cane	Black	1/ea
5198726	HCANE-BL-C2	Cane	Blue	1/ea
5198734	HCANE-PR-C2	Cane	Purple	1/ea
5198742	HCANE-RD-C2	Cane	Red	1/ea
*	HC-HAND	Replacement handle	-	1/ea
*	HC-FEET	Replacement feet	-	1/ea

\*To order, please call 800-530-2696

## Alex Orthopedic

### Clear Lucite Cane

- 250 lb. weight capacity



CIN	Mfr. No.	Description	Height	Qty.
3261062	MP-12251	Contour handle left	36-36.5 in.	1/ea
3261070	MP-12252	Contour handle right	36-36.5 in.	1/ea

If you don't see what you're looking for... ask us about it.

This catalog contains just some of the items available through Cardinal Health. If you don't see the item you need, call **800.530.2696** and ask a **Home Healthcare Specialist** for assistance.

**M** May be reimbursable by Medicare Part B

Available through Cardinal Health Drop Ship program

HCPCS are for reference only and should be verified before billing.

**Note:** Products may not be available in all Cardinal Health Distribution Centers

# Quad Canes

## Cardinal Health™ Hospital Quality at Home

### Offset Adjustable Quad Cane

- Steel base helps provide stability
- Easy push button height adjustment
- Rotating handle assembly for left or right-hand use
- Specially designed silencer helps eliminate rattles and vibrations
- 300 lb. weight capacity (Heavy Duty 500 lb.)

M

CIN	Mfr. No.	Description	Size	Qty.
5070396	CNE0022R	Black large base	7 x 11 in.	1/ea
5070537	CNE0022BR	Black large base heavy duty	7 x 11 in.	1/ea
5070370	CNE0021R	Black small base	5 x 7 in.	1/ea

HCPCS Code: E0105



## Carex Health Brands

### Quad Cane and Tip

- Stylish colors
- Adjust height easily with the push of a button
- Made of durable thermoplastic rubber
- 28–37 in. height
- 250 lb. weight capacity

M

CIN	Mfr. No.	Description	Color	Qty.
4919288	A74101	Cane small base	Black	1/ea
2548899	A705C0	Tip 5/8 in.	Gray	4/cs

HCPCS Code: Black E0105, Gray A4637



## Alex Orthopedic

### Small-Base Quad Cane

- Welded four-point steel base and aluminum shaft
- Offset handle with Hypalon grip for greater stability
- Push-button height adjustment in 1 in. increments
- 300 lb. weight capacity

M

CIN	Mfr. No.	Color	Height	Qty.
3378908	MP-10811	Canterbury	30–39 in.	1/ea
3620606	MP-10810	Celestial	30–39 in.	1/ea
3974417	MP-51061	Red hat	30–39 in.	1/ea
3378916	MP-10812	Summer garden	30–39 in.	1/ea

HCPCS Code: E0105



## Drive Medical

### Small Base Quad Cane

- Four-point base, combined with offset handle provides additional stability and support
- Handle height adjusts from 30 to 39 in.
- 300 lb. weight capacity

M

CIN	Mfr. No.	Color	Height	Qty.
4735957	RTL10310	Black	30–39 in.	1/ea
3807518	10316-4	Silver	30–39 in.	1/ea

HCPCS Code: E0105



## Carex Health Brands

### Offset Aluminum Quad Cane

- One-hand walking aid with the stability of four points of contact
- Adaptable for left or right hand use
- Low center-of-gravity for increased stability and balance
- 5/8 in. tip size
- 250 lb. weight capacity

M

CIN	Mfr. No.	Description	Height	Qty.
1773811	A734C0	Small base smooth handle	28–37 in.	1/ea
1675115	A740C0	Large base smooth handle	28–37 in.	1/ea
2255156	A73600	Small base soft cushioned handle	28–37 in.	1/ea

HCPCS Code: E0105



## Drive Medical

### Large Base Quad Cane

- Four-point base, combined with offset handle provides additional stability and support
- Handle height adjusts from 30 to 39 in.
- 300 lb. weight capacity

M

CIN	Mfr. No.	Color	Height	Qty.
3775475	10300-4	Chrome	30–39 in.	1/ea

HCPCS Code: E0105



# Wood Canes/Cane Accessories

## Cardinal Health™ Hospital Quality at Home

### J-Hook Wood Cane

- Constructed of natural maple and walnut
- Classic style with a comfortable grip
- Lightweight, sturdy construction with slip-resistant tip for cushioned support
- 1 in. (25 mm) tip size
- 300 lb. weight capacity



M

CIN	Mfr. No.	Description	Qty.
5070446	CNE0001R	Natural	1/ea
5070578	CNE123WNTR	Walnut	1/ea

HCPCS Code: E0100

## Cardinal Health™ Hospital Quality at Home

### Cane Tips

- Helps extend the life of the cane
- Reinforced with metal insert
- Slip-resistant tread



M

CIN	Mfr. No.	Description	Qty.
5070354	CAN20023QR	½ in. (12.7 mm)	4/ct
5070388	CAN20024R	¾ in. (19 mm)	2/ct
5070230	CAN20022R	1⅜ in. (20 mm)	2/ct
5070263	CAN20023R	⅞ in. (22 mm)	2/ct

HCPCS Code: A4637

## Alex Orthopedic

### Wood Cane

- Solid wood
- Contour and palm grip handles distribute weight over larger palm area
- 250 lb. weight capacity



M



CIN	Mfr. No.	Description	Height	Qty.
<b>Contour gray handle</b>				
3955879	MP-3601	Contour left - walnut	36–37 in.	1/ea
3956182	MP-36013	Contour right - walnut	36–37 in.	1/ea

#### Derby handle

3026416	MP-05016	Black	36–37 in.	1/ea
3077583	MP-05011	Brown	36–37 in.	1/ea

#### Fritz handle

3169364	MP-05015	Black	36–37 in.	1/ea
3169380	MP-05010	Brown	36–37 in.	1/ea

#### Palm grip gray handle

3261104	MP-40366	Left grip - black	36–37 in.	1/ea
3261112	MP-40367	Right grip - black	36–37 in.	1/ea

#### Tourist handle

3574084	MP-03002	Black	36–37 in.	1/ea
3574035	MP-03024	Natural-spiral	36–37 in.	1/ea
3574092	MP-03003	Rosewood	36–37 in.	1/ea
3574043	MP-03023	Rosewood-spiral	36–37 in.	1/ea
3574076	MP-03001	Walnut	36–37 in.	1/ea
3574068	MP-03021	Walnut-spiral	36–37 in.	1/ea

HCPCS Code: E0100

## Carex Health Brands

### Cane Tips

- Made of durable thermoplastic rubber



M

CIN	Mfr. No.	Description	Color	Qty.
1760438	A72000	1 in.	Black	2/ct
1760412	A71800	¾ in.	Black	2/ct
2834612	A72500	¾ in.	Gray	2/ct
1760388	A71700	⅝ in.	Black	2/ct
1760404	A71900	⅞ in.	Black	2/ct
1496678	A82100	1⅞ in. for walkers and bath benches	Gray	4/ct
4582458	A70800	Self-standing	Gray	1/ea

HCPCS Code: A4637

## Drive Medical

### Bling Cane Strap

- Soft flexible strap keeps your cane within reach
- Strap is approximately 7 in. long
- Complete with quick connection



CIN	Mfr. No.	Description	Color	Qty.
*	RTL10377TL	Cane strap	Teal	1/ea
*	RTL10377PR	Cane strap	Purple	1/ea
*	RTL10377PK	Cane strap	Pink	1/ea

\*To order, please call 800-530-2696



## Drive Medical

### Cane Holder and Strap

- Allows your cane to hang from any table in your home, restaurant or when traveling
- Easily attaches to most canes



CIN	Mfr. No.	Description	Color	Qty.
*	RTL102681	Cane holder and strap	Black	1/ea

\*To order, please call 800-530-2696

## Drive Medical

### Quad Cane Tip

- Provides balance, stability and allows your cane to be self-standing
- Fits most manufacturers' canes



CIN	Mfr. No.	Description	Size	Qty.
5394333	RTL10351	Quad cane tip	¾ in.	1/ea

HCPCS Code: A4637

## Drive Medical

### Replacement Cane Tips

- Safely replaces old and worn out tips
- Compatible with most manufacturers' products



CIN	Mfr. No.	Description	Size	Qty.
*	RTL10322BKB	Black	¾ in.	1/ea
*	RTL10324BB	Glow in the dark	¾ in.	1/ea
*	RTL10320BKB	Quad cane black	½ in.	4/ct

\*To order, please call 800-530-2696

## Essential Medical

### Big Foot™ Standing Cane Tip

- Four leg tip helps canes stand up when not in use
- Will fit any standard size cane with 0.75 in. shaft
- 250 lb. weight capacity



CIN	Mfr. No.	Description	Qty.
5008784	T20009	Cane tip	1/ea

# Crutches

## Cardinal Health™ Hospital Quality at Home

### Crutches

- Easy push button height adjustment in 1 in. increments
- Comfortable hand grips for a secure hold
- Lightweight, sturdy construction with slip-resistant tips for cushioned support
- ¾ in. (19 mm) tip size
- 300 lb. weight capacity (Heavy Duty 650 lb.)



CIN	Mfr. No.	Description	Size	Qty.
5070966	CA901YTHR	Youth	4 ft. 6 in.– 5 ft. 2 in.	1/pr
5070925	CA901ADR	Standard	5 ft. 2 in.– 5 ft. 10 in.	1/pr
5070883	CA801ADBR	Standard heavy duty	5 ft. 2 in.– 5 ft. 10 in.	1/pr
5070941	CA901TLR	Tall	5 ft. 10 in.– 6 ft. 6 in.	1/pr
5070909	CA801TLBR	Tall heavy duty	5 ft. 10 in.– 6 ft. 6 in.	1/pr

HCPCS Code: E0114

## Carex Health Brands

### Aluminum Crutches

- Crutch height adjusts in 1 in. increments
- Comes with crutch pads, handgrips and tips
- 250 lb. weight capacity



CIN	Mfr. No.	Description	Size	Qty.
2278364	A97700	Youth	4 ft. 7 in.– 5 ft. 3 in.	1/pr
2278356	A97600	Adult	5 ft. 2 in.– 5 ft. 10 in.	1/pr
2278349	A97500	Tall	5 ft. 10 in.– 6 ft. 6 in.	1/pr
1675248	A985C0	Forearm - non-retail box	5 ft. 2 in.– 6 ft. 2 in.	1/pr

HCPCS Code: E0116

**M** May be reimbursable by Medicare Part B

Available through Cardinal Health Drop Ship program

HCPCS are for reference only and should be verified before billing.

Note: Products may not be available in all Cardinal Health Distribution Centers

# Crutches

## Carex Health Brands

### Folding Crutches

- Features a convenient folding system to allow crutches to be easily stored
- Universal size, quickly adjusts to accommodate youth, adult and tall users (4 ft. 11 in.–6 ft. 4 in.)
- Sporty comfort grips and pads
- 250 lb. weight capacity



M

CIN	Mfr. No.	Description	Qty.
4955225	A99500	Folding Crutches	1/pr

HCPCS Code: E0116

## Drive Medical

### Bariatric Steel Forearm Crutches

- Vinyl-coated, ergonomically contoured arm cuffs molded for comfort and stability
- Leg and forearm sections adjust independently for optimal sizing
- Patient height: 5 ft.–6 ft. 2 in.
- 500 lb. weight capacity



CIN	Mfr. No.	Description	Qty.
*	10403HD	Forearm crutches	1/ pr

\*To order, please call 800-530-2696

## Drive Medical

### Crutches

- Double extruded center tube provides additional strength to weight-bearing area
- 350 lb. weight capacity



M



CIN	Mfr. No.	Description	Qty.
3893831	10401-8	Youth, 4 ft 6 in.–5 ft. 2 in.	8/pr
3772209	10400-8	Adult, 5 ft. 2 in.–5 ft. 10 in.	8/pr
3772217	10402-8	Adult tall, 5 ft. 10 in.– 6 ft. 6 in.	8/pr

HCPCS Code: E0114

## Drive Medical

### Knocked Down Universal Aluminum Crutches

- For children, adult or tall adult
- Euro-style clips and push pin adjustment—makes it easy to adjust hand grip
- Aluminum provides stability and durability
- Non-skid jumbo-size vinyl contoured tips provide excellent traction
- 300 lb. weight capacity



M



CIN	Mfr. No.	Description	Size	Qty.
4584090	RTL10433	Aluminum crutches	4 ft. 6 in. – 6 ft. 6 in.	1/pr

HCPCS Code: E0114

## Drive Medical

### Pediatric Forearm Crutches

- Height adjustable in 1 in. increments
- Separately adjustable cuff height
- Patient height: 4 ft. 4 in.–5 ft. 5 in.
- 185 lb. weight capacity



M



CIN	Mfr. No.	Description	Size	Qty.
*	FC300-2GB	Forearm crutches	Knight blue	1/pr

HCPCS Code: E0110

\*To order, please call 800-530-2696

## Drive Medical

### Steel Forearm Crutches

- Vinyl-coated, ergonomically contoured arm cuffs molded for comfort and stability
- Leg and forearm sections adjust independently for optimal sizing
- Patient height: 5 ft.–6 ft. 2 in.
- 300 lb. weight capacity



M



CIN	Mfr. No.	Description	Qty.
*	10403	Adult	1/pr

HCPCS Code: E0110, E0111

\*To order, please call 800-530-2696

## Cardinal Health™ Hospital Quality at Home

### Crutch Replacement Parts

- Helps extend the life of your patients' crutches
- Fits most aluminum and wood crutches
- Kit includes 2 hand grips, 2 pads and 2 tips
- Not made with natural rubber latex



M

CIN	Mfr. No.	Description	Color	Qty.
5070834	CACG1015R	Hand grips	Gray	1/pr
5073085	CACP20028R	Pads	Gray	1/pr
5073119	CACT20027R	Tips ¾ in.	Gray	1/pr
5073069	CACK20026R	Replacement kit	Gray	1/ea

HCPCS Code: Hand Grips A4636, Pads A4635, Tips A4637

## Drive Medical

### Crutch Pillows

- Adds increased comfort during long hours of crutch use
- Made from the finest materials that are resistant to body oils and perspiration
- Universal – fits all standard crutches
- Machine washable



CIN	Mfr. No.	Description	Color	Qty.
*	RTL10355	2-underarm and 2-hand grip covers	Grey	1 kit

\*To order, please call 800-530-2696

## Carex Health Brands

### Crutch Hand Grips and Tips

- Latex free and easy to clean
- Tan X-large crutch tip provides extra tread and metal reinforcement for longer wear
- Fits most crutches



M

CIN	Mfr. No.	Description	Qty.
5589429	A95400	Split hand grip	1/pr
5589437	A71600	Tip standard	1/pr
1885821	A95200	Tip X-large	1/pr

HCPCS Code: Hand grips A4636, tip A4637

## Drive Medical

### Crutch Tips

- Fits most standard crutches



CIN	Mfr. No.	Description	Size	Qty.
*	RTL10439B	Crutch tips - grey	¾ in.	1/ea

\*To order, please call 800-530-2696

## Carex Health Brands

### Standard Crutch Pads

- Designed with extra-thick cushioning to provide comfort and help reduce fatigue
- Reinforced for longer wear
- Fits most crutches
- Not made with natural rubber latex



M

CIN	Mfr. No.	Description	Color	Qty.
5398821	A70200	Crutch pads	Gray	1/ea

HCPCS Code: A4635

## Essential Medical

### Sheepette® Crutch Covers

- Made of high density, soft synthetic sheepskin material
- Includes a pair of underarm and hand grip covers
- Will fit any standard size crutches



M



CIN	Mfr. No.	Description	Qty.
3376480	D5009	Crutch covers	1/pr

HCPCS Code: A4635

M May be reimbursable by Medicare Part B



Available through Cardinal Health Drop Ship program

HCPCS are for reference only and should be verified before billing.

Note: Products may not be available in all Cardinal Health Distribution Centers

# Rollators

## Cardinal Health™ Hospital Quality at Home Rollator

- Folds up for convenient, compact storage and transport
- Loop lock hand brakes help provide controlled slowing and stopping
- Junior and standard have a 20 in. seat, heavy duty has a 23.5 in. seat
- Weight capacity: Junior 300 lb., Standard 250 lb., Heavy duty 400 lb.



M

CIN	Mfr. No.	Description	Size	Qty.
5073143	CRL0007R	Junior	Height 29–34 in.	1/ea
5073176	CRL0008R	Standard	Height 32–38 in.	1/ea
5073192	CRL0009BR	Heavy duty	Height 35–40 in.	1/ea

HCPCS Code: Junior, Standard: E0143, Seat E0156, Heavy Duty: E0149, Seat E0156

## Carex Health Brands Bariatric Aluminum Rollator with 8 in. Wheels

- Height adjustable and lightweight aluminum frame
- Easy-to-operate ergonomic hand brakes, two-button removable curved padded backrest and a comfortable, extra wide flip-up padded seat
- Water-resistant nylon pouch attaches under the seat for added privacy and security of personal items
- Equipped with a folding mechanism for easy storage and transport
- 400 lb. weight capacity



M

CIN	Mfr. No.	Description	Color	Qty.
5440920	RLAB8BL	Bariatric rollator	Blue	1/ea
5440912	RLAB8BG	Bariatric rollator	Burgundy	1/ea

HCPCS Code: E0143, Seat E0156

## Carex Health Brands Aluminum Rollator with 8 in. Wheels

- Height adjustable and lightweight aluminum frame
- Two-button removable curved padded backrest and comfortable, flip-up padded seat
- Water-resistant nylon pouch attaches under the seat for added privacy and security of items
- Equipped with a folding mechanism for easy storage and transport
- Non-marring 8 in. black casters with soft grip tires, ideal for both indoor and outdoor use
- 300 lb. weight capacity



M

CIN	Mfr. No.	Description	Color	Qty.
5449038	RLA8BK	Adult rollator	Black	1/ea
5449046	RLA8BL	Adult rollator	Blue	1/ea
5449020	RLA8BG	Adult rollator	Burgundy	1/ea

HCPCS Code: E0143, Seat E0156

## Carex Health Brands Rollator

- Height adjustable handles with locking hand brakes for safety
- Padded seat and backrest provide comfort
- Folds easily for storage and transport
- 6 in. wheels increase maneuverability
- 300 lb. weight capacity



M

CIN	Mfr. No.	Description	Color	Qty.
4776001	A33577	Rollator 6 in. casters padded seat	Blue	1/ea

HCPCS Code: E0143, Seat E0156

**Carex Health Brands**  
**Roller Walker**

- Lockable hand brakes and versatile seat and backrest provide comfort and safety during use
- Oversized 8 in. wheels allow for increased maneuverability
- Removable basket can hold personal items
- Weighs 17.5 lbs.
- Handle height 33.75–38.75 in.
- 250 lb. weight capacity



M

CIN	Mfr. No.	Description	Size	Qty.
3650314	A22200	Roller walker	26 x 33.75 in.	1/ea

HCPCS Code: E0143, Seat E0165

**Carex Health Brands**  
**Steel Rolling Walker with 6 in. Wheels**

- Padded seat and backrest provide comfort during use
- Lockable handbrakes make maneuvering easy
- Includes a convenient storage area under the seat to safely hold your personal items
- Folds for storage and transport and the assembly is quick and tool-free
- 350 lb. weight capacity



M

CIN	Mfr. No.	Description	Qty.
5187539	A22100	Rolling walker - retail box	1/ea

HCPCS Code: E0143, Seat E0165

**Carex Health Brands**  
**Steel Rollator with 6 in. Wheels**

- Height adjustable, durable powder-coated steel frame
- Easy-to-operate ergonomic hand brakes, removable curved padded backrest and comfortable, flip-up padded seat
- Water-resistant nylon pouch attaches under seat for added privacy and security of personal items
- Equipped with a folding mechanism for easy storage and transport
- 300 lb. weight capacity



M

CIN	Mfr. No.	Description	Color	Qty.
5394374	RLS6BL	Adult rollator	Blue	1/ea
5394366	RLS6BG	Adult rollator	Burgundy	1/ea

HCPCS Code: E0143, Seat E0156

**Carex Health Brands**  
**Step 'N Rest® Rolling Walker with 6 in. Wheels**

- Seat height quickly adjusts to 18, 21 or 23 in.
- Lockable hand brakes, height adjustable handles and a padded seat and backrest provide comfort and safety
- Lightweight, easy to fold design for travel and storage
- Convenient storage area holds personal items
- 250 lb. weight capacity



M

CIN	Mfr. No.	Description	Qty.
3965928	A22300	Rolling walker	1/ea

HCPCS Code: E0143, Seat E0165

M May be reimbursable by Medicare Part B

Available through Cardinal Health Drop Ship program

HCPCS are for reference only and should be verified before billing.

Note: Products may not be available in all Cardinal Health Distribution Centers

# Rollators

## Carex Health Brands

### Aluminum Transport Rollator with 8 in. Wheels

- Height adjustable, lightweight aluminum frame
- Easy-to-operate ergonomic hand brakes, two-button removable curved padded backrest and a comfortable, extra wide flip-up padded seat
- Water-resistant nylon pouch attaches under seat for added privacy and security of personal items
- Equipped with a folding mechanism for easy storage and transport
- 250 lb. weight capacity



M 

CIN	Mfr. No.	Description	Color	Qty.
5459847	RLATBL	Transport/rollator brown box item	Blue	1/ea
5459839	RLATBG	Transport/rollator brown box item	Burgundy	1/ea

HCPCS Code: E0143, Seat E0165

## Carex Health Brands

### Transport Rollator

- Transitions from a rolling walker to a transport chair in two easy steps
- Perfect for extended outings - allows the user to safely sit while they rest
- Easy tool-free assembly
- 300 lb. weight capacity



M

CIN	Mfr. No.	Description	Qty.
5357637	A23300	Transport/rollator retail box item	1/ea

HCPCS Code: E0143, Seat E0165

## Carex Health Brands

### Trio Roller Walker

- Lightweight three wheeled walker easily maneuvers in tight spaces
- Collapses quickly for storage and transport
- Height adjustable handles
- 7.5 in. wheels with locking brakes
- 250 lb. weight capacity



M

CIN	Mfr. No.	Description	Qty.
4423646	A33300	Trio rolling walker	1/ea

HCPCS Code: E0143

## Drive Medical

### Aluminum Rollator

- 6 in. black non-marring wheels with soft grip tires are ideal for indoor and outdoor use
- Pouch under seat for added privacy and security of personal items
- 300 lb. weight capacity



M

CIN	Mfr. No.	Color	Size	Qty.
5286729	R800BL	Blue	32-37 in. handle height	1/ea
5401104	R800RD	Red	32-37 in. handle height	1/ea

HCPCS Code: E0143, E0156

## Drive Medical

### Aluminum Rollator

- Includes fold-up and removable back support, padded seat and 6 in. casters with loop locks
- Includes new seamless padded seat 14 x 12 in. with zippered pouch under seat
- Removable, hinged, padded backrest can be folded up or down
- 300 lb. weight capacity



M 

CIN	Mfr. No.	Description	Color	Qty.
4288130	R726BK	6 in. wheels	Black	1/ea
4288163	R726BL	6 in. wheels	Blue	1/ea
4288445	R726RD	6 in. wheels	Red	1/ea
4288106	R728BL	7.5 in. wheels	Blue	1/ea
4288072	R728RD	7.5 in. wheels	Red	1/ea

HCPCS Code: 6 in. casters E0143, E0156

**Drive Medical**

**Heavy Duty Bariatric Rollator Walker with Large Padded Seat**

- Steel reinforced frame that supports 500 lbs. and comes standard with a large, comfortable, soft padded, oversized seat with a large basket that is mounted underneath
- 8 in. caster wheels
- Handles are adjustable in height 35.25–39.5 in.
- Tool-free removable padded back rest for comfort
- 500 lb. weight capacity



CIN	Mfr. No.	Description	Color	Qty.
<b>3876307</b>	10215BL	Rollator walker Go-Lite	Blue	1/ea
<b>3876315</b>	10215RD	Rollator walker Go-Lite	Red	1/ea

**HCPCS Code:** E0149, E0156

**Drive Medical**

**Duet Transport Chair/Rollator**

- Comes with seat belt and padded seat with pouch
- Weighs 19 lbs.
- Flip-up arm rests and 8 in. casters
- 300 lb. weight capacity



CIN	Mfr. No.	Color	Size	Qty.
<b>4289476</b>	795B	Blue	25.5 x 37 x 26 in.	1/ea
<b>4289559</b>	795BU	Burgundy	25.5 x 37 x 26 in.	1/ea

**HCPCS Code:** E0143, E0156

**Need a product immediately?**

Call the **Home Healthcare Specialist** at **800.530.2696**.

A specialist will work with you to check availability, pricing, place your order and follow through on a speedy delivery.

**Drive Medical**

**Durable 4 Wheel Rollator**

- 7.5 in. Non-marring casters are ideal for indoor and outdoor use
- Comes with durable, padded seat and removable, hinged, padded backrest can be folded up and down
- 300 lb. weight capacity



CIN	Mfr. No.	Description	Color	Qty.
*	10257BL-1	Rollator	Blue	1/ea
*	10257RD-1	Rollator	Red	1/ea

**HCPCS Code:** E0143, E0156

*\*To order, please call 800-530-2696*

**Drive Medical**

**Nitro Aluminum Rollator**

- Large 10 in. front casters allow optimal steering and rolling comfort
- Attractive, Euro-style design
- Tall rollator is ideal for users over 6 ft.
- 300 lb. weight capacity



CIN	Mfr. No.	Description	Color	Qty.
<b>5085568</b>	RTL10266BK	Rollator	Black	1/ea
<b>5083811</b>	RTL10266	Rollator	Red	1/ea
<b>5085576</b>	RTL10266WT	Rollator	White	1/ea
*	RTL10266BK-T	Rollator tall	Black	1/ea
*	RTL10266-T	Rollator tall	Red	1/ea
*	10266-CH	Cup holder only	-	1/ea

**HCPCS Code:** E0143, E0156

*\*To order, please call 800-530-2696*

**Drive Medical**

**Nitro DLX Rollator**

- 10 in. front casters allow excellent steering and rolling comfort
- Durable and comfortable firm seat separates allowing unit to fold
- Attractive, euro-style design
- 300 lb. weight capacity



CIN	Mfr. No.	Description	Color	Qty.
*	RTL10266BL-HS	Rollator	Blue	1/ea
*	RTL10266CH-HS	Rollator	Champagne	1/ea

*\*To order, please call 800-530-2696*

**M** May be reimbursable by Medicare Part B

Available through Cardinal Health Drop Ship program

*HCPCS are for reference only and should be verified before billing.*

*Note: Products may not be available in all Cardinal Health Distribution Centers*

# Rollators

## Drive Medical

### Nitro Elite Carbon Fiber Rollator

- Super lightweight carbon fiber frame
- Removable zippered storage bag with unique attachment keeps bag securely in place when rollator is open or folded
- 300 lb. weight capacity



CIN	Mfr. No.	Description	Color	Qty.
5346796	RTL10266CF	Rollator	Black	1/ea

## Drive Medical

### 3 Wheel Rollator

- Comes standard with basket, tray and pouch
- 7.5 in. casters for indoor or outdoor use
- 300 lb. weight capacity



CIN	Mfr. No.	Description	Color	Qty.
*	10289BL	Rollator	Flame Blue	1/ea
*	10289RD	Rollator	Flame Red	1/ea

HCPCS Code: E0143

\*To order, please call 800-530-2696

## Drive Medical

### Rollator with Adjustable Height

- Universal height adjustment on frame allows seat height to be adjusted from 18–24 in. in 1 in. increments
- Comes with seamless padded seat with zippered pouch under seat for added privacy and security of personal items
- 6 in. casters
- 300 lb. weight capacity



CIN	Mfr. No.	Color	Size	Qty.
*	RTL10261BL	Blue	18–24 in. seat height	1/ea
*	RTL10261RD	Red	18–24 in. seat height	1/ea

HCPCS Code: E0143, E0156

\*To order, please call 800-530-2696

## Drive Medical

### Winnie Lite Supreme 3 Wheel Rollator

- Special loop lock made of internal aluminum casting operates easily and ensures safety
- 7.5 in. casters with soft-grip tires are ideal for indoor and outdoor use
- Easy, one-hand folding
- 300 lb. weight capacity



CIN	Mfr. No.	Description	Color	Qty.
*	RTL199	Rollator	Tan plaid	1/ea

HCPCS Code: E0143

\*To order, please call 800-530-2696

## Medline Industries

### Knockdown Steel Rollator with Army Logo

- Comes standard with convenient storage bag under seat
- Constructed with durable power-coated steel
- Classically designed and value priced
- 6 in. wheels



CIN	Mfr. No.	Description	Color	Qty.
5526447	MDS86850ESAC	Rollator	Green	1/ea
5526439	MDS86850ESKDA	Rollator	Black	1/ea

HCPCS Code: E0143

If you don't see what you're looking for... ask us about it.

This catalog contains just some of the items available through Cardinal Health. If you don't see the item you need, call **800.530.2696** and ask a **Home Healthcare Specialist** for assistance.



**Cardinal Health™ Hospital Quality at Home  
Knee Scooter**

- Helps provide mobility while maintaining balance and stability
- Leg bench and steering column adjust to accommodate varying heights
- Collapsible steering column and frame for convenient storage and transport
- Overall product weight: 24 lb.
- 300 lb. weight capacity



M

CIN	Mfr. No.	Description	Qty.
5073226	CWAL240KSR	Knee scooter	1/ea

HCPCS Code: E0118

**Drive Medical  
Scout Compact Travel  
3 Wheel Power Scooter**

- Interchangeable red and blue color panels hide scuffs and scratches
- Quick and easy disassembly
- Available with 12AH or extended 20AH batteries
- 300 lb. weight capacity



M

CIN	Mfr. No.	Description	Qty.
5402086	SFSCOUT3	3 wheel	1/ea

HCPCS Code: K0800

**Carex Health Brands  
Knee Scooter**

- Increased comfort and ease of mobility to patients who cannot put weight on their foot or ankle, but want to remain active
- Padded knee platform with easy-adjustment mechanism
- Large 8 in. clear polyurethane wheels with sealed bearings
- Includes basket
- 350 lb. weight capacity



M

CIN	Mfr. No.	Description	Color	Qty.
4989141	ROSKSB	Knee scooter	Black	1/ea
5273867	ROKSBG	Knee scooter	Burgundy	1/ea
4990826	ROKSW	Knee scooter	White	1/ea

HCPCS Code: E0118

**Drive Medical  
Scout Compact Travel  
4 Wheel Power Scooter**

- Interchangeable red and blue color panels hide scuffs and scratches
- Quick and easy disassembly
- Available with 12AH or extended 20AH batteries
- 300 lb. weight capacity



M

CIN	Mfr. No.	Description	Qty.
5402102	SFSCOUT4	4 wheel	1/ea
5402110	SFSCOUT4-EXT	4 wheel, extended battery	1/ea

HCPCS Code: K0800

**Drive Medical  
Knee Scooter**

- Knee walker can be steered for increased maneuverability
- Ideal for individuals recovering from foot surgery, breaks, sprains, amputation and ulcers of the foot
- 350 lb. weight capacity



M

CIN	Mfr. No.	Description	Qty.
4966636	796	Steerable knee scooter	1/ea

HCPCS Code: E0118

**Essential Medical  
Free Spirit® Knee Scooter**

- Adjustable seat and height
- For users between 5 ft. 3 in.–6 ft. 8 in.
- Easy turning radius and easy-to-use loop-lock brakes
- Wider tires for increased stability
- 400 lb. weight capacity



CIN	Mfr. No.	Description	Qty.
4057717	P4000	Knee scooter	1/ea

M May be reimbursable by Medicare Part B

Available through Cardinal Health Drop Ship program

HCPCS are for reference only and should be verified before billing.

Note: Products may not be available in all Cardinal Health Distribution Centers

# Transport Chairs

## Cardinal Health™ Hospital Quality at Home Transport Chair

- Large 19 in. seating area
- Swing-away foot rests
- Fixed full-length arms
- Overall product weight: 40 lb.
- 300 lb. weight capacity



M

CIN	Mfr. No.	Description	Size	Qty.
5085436	CWT0004PSR	Transport chair	19 x 16 in.	1/ea

HCPCS Code: E1038

## Carex Health Brands Transport Chair

- Oversized 8 in. wheels for increased maneuverability
- Swing-away legrests and compact fold feature allows for easy storage and portability
- Angled handlebars and 19 in. seating area provide added comfort during transport
- 300 lb. weight capacity



M

CIN	Mfr. No.	Color	Size	Qty.
4776282	A33677	Blue	19 in.	1/ea

HCPCS Code: E1038

## Drive Medical Aluminum Transport Chair

- Aluminum frame is lightweight and strong
- Composite 8 in. wheels are lightweight and maintenance free
- Comes with seat belt for added safety
- 300 lb. weight capacity



M

CIN	Mfr. No.	Color	Size	Qty.
*	ATC17-BL	Blue	17 in.	1/ea
*	ATC17-RD	Red	17 in.	1/ea
4289708	ATC19-BL	Blue	19 in.	1/ea
4289724	ATC19-RD	Red	19 in.	1/ea

HCPCS Code: E1038

\*To order, please call 800-530-2696

## Drive Medical Lightweight Expedition Aluminum Transport Chair

- Weighs only 19 lbs.
- 12 in. rear "flat-free" wheels
- 300 lb. weight capacity



M

CIN	Mfr. No.	Color	Size	Qty.
*	EXP19LTBL	Blue	19 in.	1/ea
*	EXP19LTRD	Red	19 in.	1/ea

HCPCS Code: E1038

\*To order, please call 800-530-2696

## Drive Medical Travelite Transport Chair

- Lightweight yet sturdy aluminum transport chair in gunmetal gray
- Comes with padded, flip-up desk arms and height adjustable footrests
- 250 lb. weight capacity



M

CIN	Mfr. No.	Description	Size	Qty.
*	TC005GY	Transport chair	18 in.	1/ea

HCPCS Code: E1038

\*To order, please call 800-530-2696

## Drive Medical Poly-Fly Wheelchair/ Transport Chair

- Can be used as standard self-propelled wheelchair or a transport chair all in one
- Quick-release 24 in. wheels can be removed to transition self-propelled chair to a transport chair
- 250 lb. weight capacity



M

CIN	Mfr. No.	Description	Size	Qty.
4058608	TR18	Transport chair	18 in.	1/ea
4058632	TR20	Transport chair	20 in.	1/ea

HCPCS Code: E1038, K0004, E0951, E0971, E0978

## Drive Medical

### Bariatric Steel Transport Chair

- Removable, reversible desk-length arms
- 12 in. rear "flat free" wheels
- 450 lb. weight capacity



CIN	Mfr. No.	Color	Size	Qty.
*	BTR20-B	Blue	20 in.	1/ea
*	BTR20-R	Red	20 in.	1/ea
*	BTR22-B	Blue	22 in.	1/ea
*	BTR22-R	Red	22 in.	1/ea

HCPCS Code: E1039

\*To order, please call 800-530-2696

## Drive Medical

### Steel Transport Chair

- Weighs 26 lbs.
- Comes with attractive nylon upholstery that is durable and easy-to-clean
- 250 lb. weight capacity



CIN	Mfr. No.	Description	Size	Qty.
4098711	TR37E-SV	Transport chair	17 in.	1/ea
4098729	TR39E-SV	Transport chair	19 in.	1/ea

HCPCS Code: E1038

## Roscoe Medical

### Transport Chair Aluminum 19 in.

- Stylish, chip-proof lightweight aluminum frame construction (only 20 lbs.) with permanent rear axle for strength and durability
- Flared handles allow back to be folded flat for easy storage and transport
- Nylon upholstery is comfortable, lightweight and easy to clean with seat straps for ease of folding and lifting
- Composite 8 in. wheels with solid rubber tires are lightweight and maintenance free
- Seat belt and push-to-lock rear wheels for added safety
- 300 lb. weight capacity



CIN	Mfr. No.	Description	Color	Qty.
5399209	TCA1916BL	Transport chair	Blue	1/ea
5400973	TCA1916BG	Transport chair	Burgundy	1/ea

HCPCS Code: E1038

May be reimbursable by Medicare Part B

Available through Cardinal Health Drop Ship program

## Roscoe Medical

### Transport Chair Steel 19 in.

- Stylish, silver vein lightweight carbon steel frame weighs only 25 lbs.
- Flared handles allow back to be folded flat for easy storage and transport
- Nylon upholstery is comfortable, lightweight and easy to clean with seat straps for ease of folding and lifting
- Composite 8 in. wheels with solid rubber tires are lightweight and maintenance free
- Seat belt and push-to-lock rear wheels for added safety
- 300 lb. weight capacity



CIN	Mfr. No.	Description	Color	Qty.
5441597	TCS1916SV	Transport chair	Silver	1/ea

HCPCS Code: E1038

## Roscoe Medical

### Transport Chair Heavy Duty Steel 22 in.

- Heavy-duty reinforced steel construction and stylish, silver vein finish with dual, reinforced cross braces for strength and durability
- 12 in. rear wheels for better performance on uneven surfaces and companion activated hand brakes are ideal for locking the rear wheels during transfers
- Removable desk-length padded armrests with comfortable, nylon reinforced upholstery seat straps for easy folding and lifting and seat belt for added safety
- Composite wheels with solid rubber tires are lightweight and maintenance free
- 450 lb. weight capacity



CIN	Mfr. No.	Description	Qty.
5462684	TCS221612SV	Transport chair	1/ea

HCPCS Code: E1039

HCPCS are for reference only and should be verified before billing.

Note: Products may not be available in all Cardinal Health Distribution Centers

# Walkers

## Cardinal Health™ Hospital Quality at Home Folding Walker

- Easy, push button height adjustment in 1 in. increments
- Steel cross base helps provide additional stability
- Slip-resistant rear tips for secure support
- Width between handles: 23 in.
- Front glide tips included
- 300 lb. weight capacity



M

CIN	Mfr. No.	Description	Size	Qty.
5073168	CWAL0007NR	Standard	Height 32–39 in.	1/ea

HCPCS Code: E0135

## Cardinal Health™ Hospital Quality at Home Folding Walker With Wheels

- Easy, push button height adjustment in 1 in. increments
- Steel cross base helps provide additional stability
- Slip-resistant rear tips for secure support
- 5 in. non-swivel wheels for added maneuverability
- 300 lb. weight capacity (Heavy duty 500 lb.)



M

CIN	Mfr. No.	Description	Size	Qty.
5073127	CWAL0006R	Junior	Height 25–32 in.	1/ea
5073135	CWAL0008TR	Standard	Height 32–39 in.	1/ea
5073200	CWAL0010BR	Heavy duty	Height 33–43 in.	1/ea

HCPCS Code: E0148

## Cardinal Health™ Hospital Quality at Home Folding Hemi Walker

- Designed for individuals with limited or no use of one hand or arm
- Hands grips at two heights when standing from a seated position
- Easy, push button height adjustment in 1 in. increments and slip-resistant tips for secure support
- Upper handle height range: 29–36 in., Lower handle height range: 23–30 in.
- 500 lb. weight capacity



M

CIN	Mfr. No.	Description	Qty.
5073234	CWAL1028HR	Hemi walker	1/ea

HCPCS Code: E0148

## Carex Health Brands Aluminum Walker 2 Button

- Attractive, lightweight aluminum frame with adjustable height settings
- Easy-to-use push button folding mechanism provides audible click when locked and folds flat when not in use
- Each side operates independently to allow easy movement through narrow spaces and greater stability while standing
- Front cross brace near top of walker allows for full stride
- Vinyl contoured hand grip for added comfort and long lasting wear
- 300 lb. weight capacity



M



CIN	Mfr. No.	Description	Qty.
5400981	WKA AW2B	Adult with 5 in. wheels	1/ea

HCPCS Code: E0143

## Carex Health Brands Aluminum Bariatric Walker 2 Button

- Attractive, lightweight aluminum frame with adjustable height settings
- Easy-to-use push button folding mechanism
- Front cross braces near top of walker to allow for full stride
- Vinyl contoured hand grip for added comfort and long lasting wear
- Rear glide cap allows for walker to slide easily and smoothly over most surfaces (comes standard on models with 5 in. wheels)
- 500 lb. weight capacity



M



CIN	Mfr. No.	Description	Qty.
5448683	WKABW2B	Bariatric with wheels	1/ea
5448675	WKABN2B	Bariatric without wheels	1/ea

HCPCS Code: Without wheels E0148, Wheels E0149

## Carex Health Brands Knock-Down Folding Walker

- Offers assistance while walking and can be broken down for tight spaces
- Height adjustable 30–37 in.
- Easily folds for transportation or storage
- Sides detach for storing in tight spaces
- 300 lb. weight capacity



M

CIN	Mfr. No.	Description	Qty.
5050190	A86900	Folding walker	1/ea
5187612	A87100	Folding walker with wheels	1/ea

HCPCS Code: E0143

Carex Health Brands

**Two-Button Walker**

- Easily folds and unfolds with dual locking buttons
- Height adjustable in 1 in. increments
- Provides smooth and easy movement
- Lightweight, sturdy frame provides extra stability for increased mobility and independence
- 300 lb. weight capacity



M

CIN	Mfr. No.	Description	Qty.
4776217	A88077	Two-button walker	1/ea

HCPCS Code: E0143

Drive Medical

**Clever Lite Walker with Wheels**

- Front wheels can be set in either swivel or fixed position
- Comes with flip-up seat with built-in carry handle
- Allows individual to be seated or use as a traditional walker
- 300 lb. weight capacity



M 

CIN	Mfr. No.	Description	Size	Qty.
*	10243	Adult 8 in. wheels	Blue	1/ea

HCPCS Code: E0143, E0156

\*To order, please call 800-530-2696

Carex Health Brands

**Two-Button Walker with 5 in. Wheels**

- Easily folds and unfolds with dual locking buttons
- Height adjustable in 1 in. increments
- Fixed 5 in. wheels provide smooth, easy movement and independence
- Lightweight, sturdy frame provides extra stability for increased mobility
- 300 lb. weight capacity



M

CIN	Mfr. No.	Description	Qty.
4776191	A87977	Two-button walker with 5 in. wheels	1/ea

HCPCS Code: E0143

Drive Medical

**Deluxe Folding Two Button Walker**

- Easy push-button mechanisms may be operated by fingers, palms or side of hand
- 350 lb. weight capacity



M 

CIN	Mfr. No.	Description	Size	Qty.
*	10210-1	Adult with 5 in. wheels	32-39 in.	1/ea
4501201	10210-4	Adult with 5 in. wheels	32-39 in.	4/cs

HCPCS Code: E0143

\*To order, please call 800-530-2696

Drive Medical

**Clever Lite LS Walker**

- Allows individual to be seated or use as traditional walker by raising seat to step inside the frame
- Easily folds with patented dual-lever side-paddle release
- Soft, flexible backrest provides comfort and security while seated
- 300 lb. weight capacity



M

CIN	Mfr. No.	Description	Qty.
*	10233	Walker	1/ea

HCPCS Code: E0143

\*To order, please call 800-530-2696

Drive Medical

**Deluxe Trigger Release Folding Walker with 5 in. Wheels**

- Trigger release feature for opening and closing allows users to close the walker without removing their hands from the handle and is ideal for individuals with limited finger dexterity
- 350 lb. weight capacity



M 


CIN	Mfr. No.	Description	Size	Qty.
4847059	10227-4	Junior	26-33.5 in.	4/cs
*	10226-1	Adult	32-39 in.	4/cs

HCPCS Code: E0143

\*To order, please call 800-530-2696

Mobility

M May be reimbursable by Medicare Part B

 Available through Cardinal Health Drop Ship program

HCPCS are for reference only and should be verified before billing.

Note: Products may not be available in all Cardinal Health Distribution Centers

# Walkers

## Drive Medical

### Folding Two Button Walker with 5 in. Wheels

- Each side operates independently to allow easy movement through narrow spaces and greater stability while standing
- 350 lb. weight capacity



CIN	Mfr. No.	Description	Size	Qty.
5450275	10244-4	Walker	32-39 in.	4/cs

HCPCS Code: E0143

## Drive Medical

### Side Walker

- Designed for individuals with the use of only one hand or arm
- Lighter than a walker and more stable than a cane
- 300 lb. weight capacity



CIN	Mfr. No.	Description	Qty.
*	10240-1	Side walker	1/ea

HCPCS Code: E0135

\*To order, please call 800-530-2696

## Drive Medical

### Portable Folding Travel Walker with 5 in. Wheels and Fold up Legs

- Easily folds tool-free to half the size of a traditional walker
- Legs are attached with strong elastic cords and can be folded
- Two side-storage pouches with large pockets for personal items are held in place by hook and loop fastener tabs to both side frames
- 300 lb. weight capacity



CIN	Mfr. No.	Description	Size	Qty.
*	RTL10263KDR	Travel walker	Red	1/ea

HCPCS Code: E0143

\*To order, please call 800-530-2696

## Drive Medical

### Two Wheeled Walker with Seat

- Features comfortable and convenient padded seat and backrest
- Height adjustable handles
- 300 lb. weight capacity



CIN	Mfr. No.	Description	Color	Qty.
*	1239RD	Wheeled walker	Red	1/ea

HCPCS Code: E0143, E0156

\*To order, please call 800-530-2696

# Walker Accessories

## Cardinal Health™ Hospital Quality at Home

### Walker Basket

- Compatible with most 1-inch diameter (25 mm) aluminum frame walkers
- Convenient storage space for carrying personal items
- Sturdy steel construction with black finish
- Adjust side supports to fit walker properly



CIN	Mfr. No.	Description	Qty.
5073051	CAWA025R	Basket - 18 in.	1/ea

## Cardinal Health™ Hospital Quality at Home

### Walker Ski Glides

- Compatible with most 1-inch diameter (25 mm) aluminum frame walkers
- Offer a smooth glide over a variety of surfaces
- Attach easily to rear walker legs – no tools required



CIN	Mfr. No.	Description	Qty.
5073077	CAWA136R	Ski glides	1/pr

HCPCS Code: E1399

## Cardinal Health™ Hospital Quality at Home Walker Wheels

- 5-inch non-swivel front wheels for added maneuverability
- Allows for 8 height adjustments
- Attach easily to front walker legs, no tools required
- Not made with natural rubber latex



M

CIN	Mfr. No.	Description	Qty.
5073093	CAWW1001R	Wheels 5 in. - silver	1/pr

HCPCS Code: E0155

## Carex Health Brands Walker Wheels

- 5 in. wheel diameter for the front of walker
- Fits 1 in. walker tubing
- 300 lb. weight capacity



M

CIN	Mfr. No.	Description	Qty.
2868701	A83900	Walker wheels 5 in. fixed	1/pr

HCPCS Code: E0155

## Carex Health Brands Walker Basket

- Canvas basket has generous capacity with elastic straps
- Features privacy cover
- Snap-on basket attaches easily without tools
- Includes a tray with cup insert



CIN	Mfr. No.	Description	Qty.
2868586	A83000	Walker basket snap-on	1/ea

## Drive Medical Folding Walker Tray

- Fits most manufacturers' 2-button walkers
- Contains two cup holders
- Easily folds down when not in use



CIN	Mfr. No.	Description	Qty.
4750188	10125	Walker tray	1/ea

## Carex Health Brands Walker Glides

- Fits most walkers
- **2868602:** Gently press down on walker for auto glide brake
- **2868644:** 3 points of contact for better stability



M

CIN	Mfr. No.	Description	Size	Qty.
2868602	A83100	Auto glides	-	1/pr
2868644	A83600	Glides	1½ in.	1/pr
3964764	A80900	Ski glides	-	1/pr

HCPCS Code: E1399

## Drive Medical Mobility Hooks

- Extremely strong; each hook carries up to 11 pounds
- Can be used to hold purses, jackets, shopping bags and more



CIN	Mfr. No.	Description	Qty.
*	RTL10221	Mobility hooks	1/pr

\*To order, please call 800-530-2696

M May be reimbursable by Medicare Part B

Available through Cardinal Health Drop Ship program

HCPCS are for reference only and should be verified before billing.

Note: Products may not be available in all Cardinal Health Distribution Centers

# Walker Accessories

## Drive Medical

### Tennis Ball Glides

- Provides a quiet, smooth and durable glide experience when used with a walker



CIN	Mfr. No.	Description	Qty.
4030078	10119	Tennis ball glides	1/pr

## Drive Medical

### Walker Ski Glide

- Allows walker to glide easily and smoothly over most surfaces
- For use with most leading manufacturers' walkers
- Retail package



CIN	Mfr. No.	Description	Qty.
*	RTL100017	Walker ski glide	1/pr

\*To order, please call 800-530-2696

## Drive Medical

### Universal Cup Holder

- Easily attaches to wheeled walkers, rollators, transport chairs or wheelchairs with tubing diameter from 5/8 in. to 1 in.



CIN	Mfr. No.	Description	Qty.
4343505	STDS10405	Cup holder	1/ea

## Drive Medical

### Walker Wheels 5 in.

- Converts folding walker into wheeled walker
- Fits most manufacturers' walkers
- 350 lb. weight capacity



CIN	Mfr. No.	Description	Qty.
3774593	10109	Standard	1/pr
*	10115	Swivel	1/pr

HCPCS Code: A9900, E0155

\*To order, please call 800-530-2696

## Drive Medical

### Walker Basket

- For use with all 1in. folding walkers
- Retail package



CIN	Mfr. No.	Description	Qty.
3893880	10200B	Walker basket	1/ea

## Essential Medical

### Sheepette® Walker Grip Covers

- Made of high-density Sheepette® material
- Add-on accessory for walkers and crutches
- Attaches with hook-and-loop closure



CIN	Mfr. No.	Description	Qty.
3577699	D5008	Walker grip covers	1/pr





**Cardinal Health™ Hospital Quality at Home**  
**Wheelchair with Elevating Footrests**

- Detachable desk-length arms
- Easy to assemble – tool kit included
- Elevating footrests include calf pads
- Foot plates are height adjustable for a customized fit
- 300 lb. weight capacity

**M**

CIN	Mfr. No.	Description	Size	Qty.
<b>5070768</b>	CW0071PELR	Wheelchair	18 x 16 in.	1/ea

**HCPCS Code: K0004**



**Drive Medical**  
**Cirrus Plus EC Folding Power Wheelchair**

- Foldable, lightweight frame for easy portability
- Swing-away footrests with heel loops
- Padded back upholstery with storage pouch and cushioned seat
- 300 lb. weight capacity

**M**

CIN	Mfr. No.	Description	Qty.
*	CPN18FBA	18 in. seat	1/ea
*	CPN20FBA	20 in. seat	1/ea

**HCPCS Code: K0822**

*\*To order, please call 800-530-2696*



**Cardinal Health™ Hospital Quality at Home**  
**Wheelchair with Swingaway Footrests**

- Detachable desk-length arms
- Easy to assemble – tool kit included
- Swing-away removable footrests for easy transfer
- Foot plates are height adjustable for a customized fit
- 300 lb. weight capacity

**M**

CIN	Mfr. No.	Description	Size	Qty.
<b>5070792</b>	CW0071PSR	Wheelchair	18 x 16 in.	1/ea
<b>5070743</b>	CW0005PSR	Wheelchair	20 x 16 in.	1/ea

**HCPCS Code: K0001**



**Drive Medical**  
**Cruiser III Wheelchair**

- Carbon steel frame with silver vein finish
- Weighs under 36 lbs. (excluding front riggings)
- 16 in., 18 in. – 300 lb. weight capacity, 20 in. – 350 lb. weight capacity

**M**

CIN	Mfr. No.	Description	Size	Qty.
<b>Desk arms</b>				
*	K320DDA-ELR	Elevated legrests	20 in.	1/ea
<b>4792289</b>	K316DDA-SF	Swing-away footrests	16 in.	1/ea
<b>4792297</b>	K318DDA-SF	Swing-away footrests	18 in.	1/ea
*	K320DDA-SF	Swing-away footrests	20 in.	1/ea
<b>Full arms</b>				
*	K316DFA-SF	Swing-away footrests	16 in.	1/ea
*	K320DFA-SF	Swing-away footrests	20 in.	1/ea

**HCPCS Code: all models K0003, 20 in. swing-away footrests K0007**

*\*To order, please call 800-530-2696*

**M** May be reimbursable by Medicare Part B

Available through Cardinal Health Drop Ship program

*HCPCS are for reference only and should be verified before billing.*

**Note:** Products may not be available in all Cardinal Health Distribution Centers

# Wheelchairs

## Drive Medical

### Cruiser X4 Wheelchair

- Easy to propel and transport
- 300 lb. weight capacity



CIN	Mfr. No.	Description	Size	Qty.
<b>Desk arms</b>				
*	CX418ADDA-ELR	Elevated legrests	18 in.	1/ea
*	CX420ADDA-SF	Swing-away footrests	20 in.	1/ea
<b>Full arms</b>				
*	CX418ADFA-ELR	Elevated legrests	18 in.	1/ea
*	CX418ADFA-SF	Swing-away footrests	18 in.	1/ea
*	CX420ADFA-SF	Swing-away footrests	20 in.	1/ea

\*To order, please call 800-530-2696



## Drive Medical

### Bariatric Sentra EC Extra Wide Wheelchair

- Front riggings sold separately
- Reinforced steel gussets at all weight bearing points provide additional strength
- 700 lb. weight capacity



CIN	Mfr. No.	Description	Size	Qty.
*	STD30ECDDA	Detachable desk arms	30 in.	1/ea

**HCPCS Code:** K0007

\*To order, please call 800-530-2696



## Drive Medical

### Bariatric Sentra EC Wheelchair

- Double embossed vinyl upholstery is durable, lightweight, attractive and easy-to-clean
- 450 lb. weight capacity



CIN	Mfr. No.	Description	Size	Qty.
<b>Desk arms</b>				
*	STD22ECDDA-ELR	Elevated legrests	22 in.	1/ea
*	STD24ECDDA-ELR	Elevated legrests	24 in.	1/ea
*	STD20ECDDAHD-SF	Swing-away footrests	20 in.	1/ea
*	STD22ECDDA-SF	Swing-away footrests	22 in.	1/ea
*	STD24ECDDA-SF	Swing-away footrests	24 in.	1/ea
<b>Full arms</b>				
*	STD20ECDFAH-ELR	Elevated legrests	20 in.	1/ea
*	STD22ECDF-FA-SF	Swing-away footrests	22 in.	1/ea
*	STD24ECDF-FA-SF	Swing-away footrests	24 in.	1/ea

**HCPCS Code:** all models K0007, Elevated legrests K0195, E0990

\*To order, please call 800-530-2696



## Drive Medical

### Silver Sport 1 Wheelchair

- Padded armrests
- Urethane tires mounted on composite wheels provide durability and low maintenance
- 250 lb. weight capacity



CIN	Mfr. No.	Description	Size	Qty.
4966644	SSP118FA-SF	Fixed arms - swing-away footrests	18 in.	1/ea

**HCPCS Code:** K0001



**Drive Medical**

**Silver Sport 2 Wheelchair**

- Powder-coated silver vein steel frame
- Carry pocket on backrest provides additional convenience
- 16 in. - 250 lb. weight capacity, 18 in. - 300 lb. weight capacity, 20 in. - 350 lb. weight capacity



CIN	Mfr. No.	Description	Size	Qty.
<b>Desk arms</b>				
4931226	SSP220DDA-ELR	Elevated legrests	20 in.	1/ea
4931275	SSP216DDA-SF	Swing-away footrests	16 in.	1/ea
4979654	SSP218DDA-SF	Swing-away footrests	18 in.	1/ea
5472253	SSP220DDA-SF	Swing-away footrests	20 in.	1/ea
<b>Full arms</b>				
*	SSP216DFA-ELR	Elevated legrests	16 in.	1/ea
*	SSP220DFA-ELR	Elevated legrests	20 in.	1/ea
*	SSP216DFA-SF	Swing-away footrests	16 in.	1/ea
*	SSP218DFA-SF	Swing-away footrests	18 in.	1/ea
<b>Fixed arms</b>				
*	SSP218FA-SF	Swing-away footrests	18 in.	1/ea

**HCPCS Code:** all models K0001, 20 in. wheelchair K0002, E2201

\*To order, please call 800-530-2696



**Roscoe Medical**

**K1 Standard Wheelchair**

- Slide tube steel frame in black powder coat finish
- Single axle positioning. 8 in. x 1 in. solid rubber front casters
- Easy-to-clean, comfortable vinyl upholstery resists mildew and bacteria
- Flip-back, padded, upholstered armrests are removable
- Includes tool-free elevating padded legrests with composite footplates and equipped with a pneumatic piston for infinite elevating positions
- 250 lb. weight capacity



CIN	Mfr. No.	Description	Size	Qty.
5440342	WC11816DE	Elevating legrests	18 x 16 in.	1/ea
5436241	WC11816DS	Swingaway footrests	18 x 16 in.	1/ea
5440854	WC12016DE	Elevating legrests	20 x 16 in.	1/ea
5440359	WC12016DS	Swingaway footrests	20 x 16 in.	1/ea

**HCPCS Code:** Elevated legrests E0990, Swingaway footrests K0195

**Roscoe Medical**

**K2 Standard Hemi Wheelchair**

- Slide tube, powder-coated silver vein steel frame
- Dual axle provides easy transition of seat height to hemi-level
- Easy-to-clean, comfortable vinyl upholstery resists mildew and bacteria
- Flip-back, padded, upholstered armrests are removable
- Elevating legrests are equipped with a pneumatic piston
- 300 lb. weight capacity



CIN	Mfr. No.	Description	Size	Qty.
5445473	WC21616DE	Elevating legrests	16 x 16 in.	1/ea
5445481	WC21616DS	Swingaway footrests	16 x 16 in.	1/ea

**HCPCS Code:** Elevated legrests E0990, Swingaway footrests K0195



**M** May be reimbursable by Medicare Part B

Available through Cardinal Health Drop Ship program

HCPCS are for reference only and should be verified before billing.

**Note:** Products may not be available in all Cardinal Health Distribution Centers

# Wheelchairs



**Roscoe Medical**

**K3 Lightweight Wheelchair**

- Cross-brace, powder-coated silver vein steel frame
- Removable flip back height adjustable arms
- Easy-to-clean, comfortable nylon upholstery resists mildew and bacteria
- Elevating legrests are equipped with a pneumatic piston for infinite elevating positions
- 2 in. removable seat extension
- 300 lb. weight capacity



CIN	Mfr. No.	Description	Size	Qty.
5440763	WC31616DE	Elevating legrests	16 x 16 in.	1/ea
5440771	WC31616DS	Swingaway footrests	16 x 16 in.	1/ea
5440367	WC31816DE	Elevating legrests	18 x 16 in.	1/ea
5440862	WC31816DS	Swingaway footrests	18 x 16 in.	1/ea

**HCPCS Code:** all models K0003, Elevated legrests E0990, Swingaway footrests K0195



**Roscoe Medical**

**K4 High Strength Wheelchair**

- Quick-release axles allow for tool-free removal of rear wheels for fast hemi-height adjustment
- Flip-back padded arm rests are height adjustable from 10–14 in. to accommodate a seat cushion
- Built-in seat rail and upholstery extension easily adjusts seat depth from 16–18 in. without any additional upholstery
- Includes tool-free adjustable front riggings with composite angle adjustable footplates for more relaxed foot positioning
- Elevating padded legrests are equipped with a pneumatic piston for infinite elevating positions
- 300 lb. weight capacity



CIN	Mfr. No.	Description	Size	Qty.
5448758	WC41816DS	Swingaway footrests	18 x 16 in.	1/ea

**HCPCS Code:** all models K0004, Swingaway footrests K0195, Anti-tippers E0971, Angle adjusted footplates K0040, Non-standard seat frame 20 in. chair only E2201

**Roscoe Medical**

**K7 Extra Heavy Duty Wheelchair**

- Heavy duty, slide tube silver vein steel frame
- Dual axle provides easy transition of seat height to hemi-level
- 8 x 2 in. semi-pneumatic casters are adjustable in 3 positions
- Removable desk length arms with padded armrests
- Heavy duty vinyl padded upholstery with chart pocket
- 450 lb. weight capacity



CIN	Mfr. No.	Description	Size	Qty.
5435664	WC72218DS	Swingaway footrests	22 x 18 in.	1/ea
5435680	WC72418DS	Swingaway footrests	24 x 18 in.	1/ea

**HCPCS Code:** All models K0007, Swingaway footrests K0195



# Wheelchairs and Accessories



### Roscoe Medical

#### Reclining Wheelchair with Removable Desk Arms and Elevating Legrests

- Slide tube steel frame with an attractive silver vein finish that is chip resistant and easy to maintain
- Rear anti-tippers and easy push-to-lock wheel locks come standard
- Padded desk-length, detachable armrests provide added patient comfort
- Easy-to-clean, comfortable vinyl upholstery resists mildew and bacteria
- Tool-free elevating padded legrests are equipped with a pneumatic piston for infinite positions and composite footplates
- 300 lb. weight capacity



CIN	Mfr. No.	Description	Size	Qty.
5441068	WCR1616E	Reclining wheelchair	16 x 16 in.	1/ea
5441076	WCR1816E	Reclining wheelchair	18 x 16 in.	1/ea

**HCPCS Code:** K0001/K0006, Reclining back E1226, Headrest extension E0996, Elevating legrests only E0990

### Cardinal Health™ Hospital Quality at Home

#### Replacement Swing-Away Footrests

- Replacement footrests for any Cardinal Health™ wheelchair



CIN	Mfr. No.	Description	Qty.
5070974	CAS20078R	Swing-away footrests	1/pr

### Drive Medical

#### Carry Pouch for Oxygen Cylinder

- Adjusts for use with "D" and "E" cylinders
- Top and bottom clasps easily attach for a secure fit to your folding power wheelchair
- Constructed of durable, easy-to-clean nylon, the carry bag also includes two carry handles



CIN	Mfr. No.	Description	Qty.
*	STDS6008-1	Carry pouch	1/ea

\*To order, please call 800-530-2696

## The Home Healthcare Drop Ship Program Look for the symbol.

We've greatly expanded the items available to you through our Drop Ship Program. All items with the symbol will be shipped to you directly from the manufacturer and billed through your Cardinal Health account. It's the best of both worlds—the convenience of a single invoice, plus access to hundreds of unique and specialized products!

For more information, contact a customer service support specialist at **800.530.2696**.